

LED AMBIENT CANOPY LIGHT (CRO2)



U.S. Patent D574994, D590100 and other U.S. and international patents pending

EXPECTED LIFE - Minimum 60,000 hours to 100,000 hours depending upon the ambient temperature of the installation location. See LSI web site for specific guidance.

LEDS - Select high-brightness LEDs. 5000°K color temperature (nominal).

OPTICS / DISTRIBUTIONS – Ultra-High efficiency reflectors provide custom beam distribution for optimal surface illumination. Luminaire is rated Full Cutoff.

OPTICAL UNIT – Featuring an ultra slim 1" profile luminaire. Housing is die-formed aluminum with a gasketed clear tempered glass lens providing a water-resistant seal. Integral, single blade heat sink does not trap dirt and grime, ensuring cool running performance over the life of the fixture.

DRIVER HOUSING – Weather-tight aluminum driver/electrical enclosure is elevated above canopy deck to ensure no water entry and provide “knock-out” entry for primary wiring.

INSTALLATION – Installs in a 12" or 16" deck pan. Deck penetration consists of 5 drilled holes simplifying installation and water sealing.

ELECTRICAL - Universal voltage power supply 120-277 VAC, (50/60 Hz) input.

LIGHT OUTPUT – Two sizes of optical units are available to suit differing light level requirements.

DRIVER – State-of-the-art driver technology designed specifically for LSI LED light sources provides unsurpassed system efficiency. Components are fully encased in potting for moisture resistance. Driver complies with IEC and FCC standards.

OPERATING TEMPERATURE - -40°C to +50°C (-40°F to +122°F)

FINISH – Standard color is white powder coat finish. Each fixture is finished with LSI's DuraGrip® polyester powder coat finish process. LSI's DuraGrip finishes withstand extreme weather changes without cracking or peeling and come with a 5-year guarantee.

WARRANTY - Limited 5-year warranty

PHOTOMETRICS – Application layouts are available upon request. Contact LSI Petroleum Lighting or petroleum.apps@lsi-industries.com

LISTING - ETL listed to U.S. and Canadian safety standards. Suitable for wet location.

Crossover® LED Lighting

lighting facts^{CM}

A Program of the U.S. DOE

Light Output (Lumens)	4957
Watts	62.2
Lumens per Watt (Efficacy)	79

Color Accuracy Color Rendering Index (CRI)	69
--	-----------

Light Color
Correlated Color Temperature (CCT)

5100 (Daylight)

Warm White
Bright White
Daylight

2700K 3000K 4500K 6500K

All results are according to IESNA LM-79-2008: *Approved Method for the Electrical and Photometric Testing of Solid-State Lighting*. The U.S. Department of Energy (DOE) verifies product test data and results. Products qualified under the DOE ENERGY STAR® program have the ENERGY STAR mark on this label.

Visit www.lightingfacts.com for the Label Reference Guide.

Registration Number: KGGN-GCG1GH
Model Number: CRO2-S-LED-50-CW-UE
Type: Surface and pendant-mounted downlights



IP67

Suitable for wet locations

This “Lighting Facts Label” represents LSI’s commitment, through participation in the Department of Energy’s SSL Quality Advocates program, to accurately report performance criteria of our LED fixtures. **This label represents a single test of a single fixture. Input power below represents rated wattage for the family.** Color temperature and lumen output for each variation of this Crossover® fixture can be found in the ordering information below as well as at www.lightingfacts.com.

LIGHT OUTPUT		
Fixture	Distribution	Lumens (Nominal)
CRO2 50	Type S	5000
Input Power of 60 watts		
CRO2 100	Type S	9000
Input Power of 115 watts		

LED AMBIENT CANOPY LIGHT (CRO2)

LUMINAIRE ORDERING INFORMATION

TYPICAL ORDER EXAMPLE: **CRO2 S LED 50 CW UE WHT**

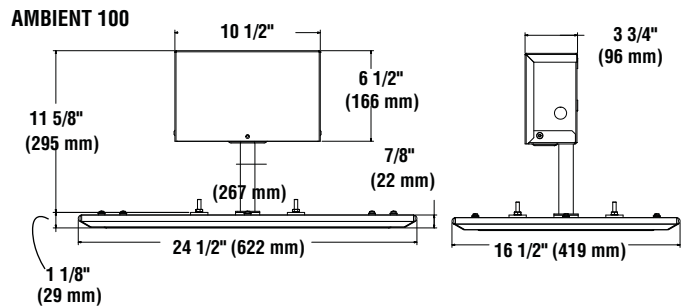
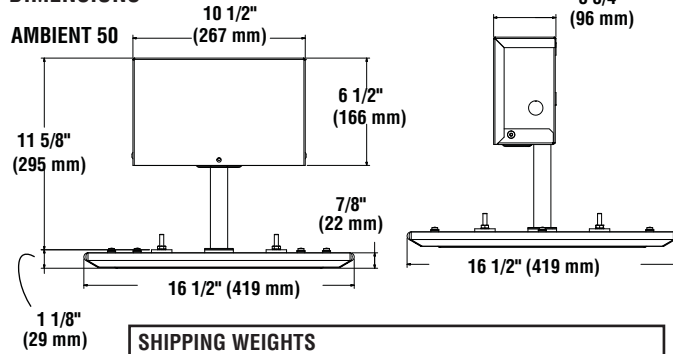
Luminaire Prefix	Distribution	Light Source	# of LEDs	Color Temperature	Input Voltage	Finish
CRO2	S-Symmetric	LED	50 100	CW - Cool White (5000° K nom)	UE - Universal Voltage (120-277 AC)	WHT - White

ACCESSORY ORDERING INFORMATION (Accessories are field installed)	
Description	Order Number
Retrofit Panel - SC / SCF / ECTA to CRO (Ambient or Focus)	353675
Retrofit Panels - EC to CRO (Ambient or Focus)	353684
Retrofit 2x2 Cover Panel (w/ centered hole pattern for CRO)	357283
Retrofit 2x2 Cover Panel Blank (without holes)	357282
Retrofit RIC Cover Panel Blank	354702
Kit - Hole Plugs and Silicone (enough for 25 retrofits) ¹	1320540

¹ Consists of (25) 7/8" plugs, (100) 5/16" plugs and (1) 10.3 oz tube of RTV

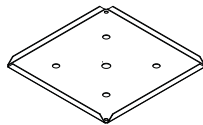
SUPERKITS® to Retrofit Crossover to Existing Housings (see separate spec sheets)	
Description	Order Number
Universal 2x2 to Crossover Ambient 50	368402
Universal 2x2 to Crossover Ambient 100	368407
Universal 2x2 to Crossover Focus	368410
Universal Recessed (Richmond type) to Crossover Ambient 50	368491
Universal Recessed (Richmond type) to Crossover Ambient 100	368492
Universal Recessed (Richmond type) to Crossover Focus	368493

DIMENSIONS

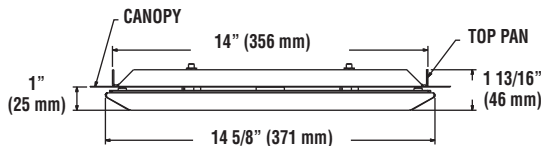


SHIPPING WEIGHTS			
CRO2 50		CRO2 100	
12.5 lbs.	1 fixture	15.5 lbs.	1 fixture
50 lbs.	4 fixtures	62 lbs.	4 fixtures

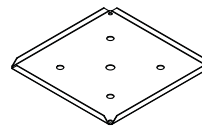
RETROFIT PANEL - SC / SCF / ECTA (#353675)



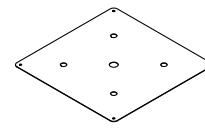
TOP PAN



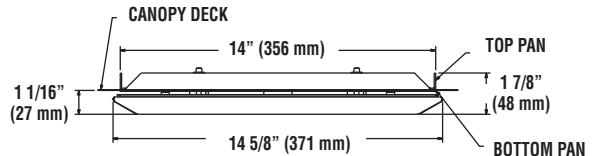
RETROFIT PANELS - EC (#353684)



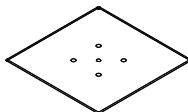
TOP PAN



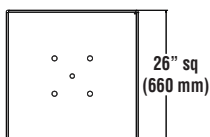
BOTTOM PAN



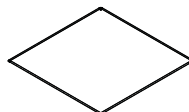
2X2 COVER PANEL W/ HOLES (357283)



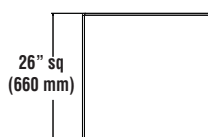
PANEL W/ HOLES



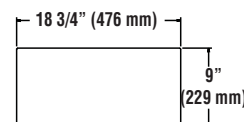
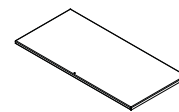
2X2 COVER PANEL BLANK (357282)



PANEL W/O HOLES



RIC COVER PANEL (354702)



11/03/09

Project Name _____ Fixture Type _____

Catalog # _____