

LED AMBIENT W/ RECESSED HOUSING FOR DOUBLE DECK INSTALLATIONS



Designed and manufactured in the U.S.



U.S. Patent D574994, D590100 and other U.S. and international patents pending

OPTICAL UNIT – Featuring an ultra slim 1" profile luminaire. Housing is die-formed aluminum with a gasketed clear tempered glass lens providing a water-resistant seal.

DRIVER BOX – Electronic driver is pre-mounted in die-formed aluminum housing.

INSTALLATION – 10.7" square canopy collar mounts through appropriately sized cutout in canopy deck (see detailed instruction sheet) and attaches by simple screws through 18.25" square collar flange into deck. Special extender pan mounted on the back of the optical unit provides flange to attach optics to deck.

REFLECTORS/DISTRIBUTION PATTERNS – Ultra-High efficiency reflectors provide custom beam distribution for optimal surface illumination. Luminaire is rated Full Cutoff.

LIGHT SOURCES – Technologically advanced solid-state LED lighting. Expected life: minimum 60,000 hours to 100,000 hours depending upon the ambient temperature of the installation location. See LSI web site for specific guidance. Significant energy savings are realized over HID luminaires.

ELECTRICAL - Universal voltage power supply (120-277 VAC, 50/60 Hz).

LIGHT OUTPUT – Two sizes of optical units are available to suit differing light level requirements. The smaller 50 LED unit delivers 5000 lumens at an input power of 60 watts. The 100 LED unit produces 9000 lumens at an input power of 115 watts.

DRIVER – "State of the Art" driver technology designed specifically for LSI LED light sources provides unsurpassed system efficiency. Driver will operate with input voltages of 120V thru 277V (50/60 Hz). Components are fully encased in potting for moisture resistance. Driver complies with IEC and FCC standards.

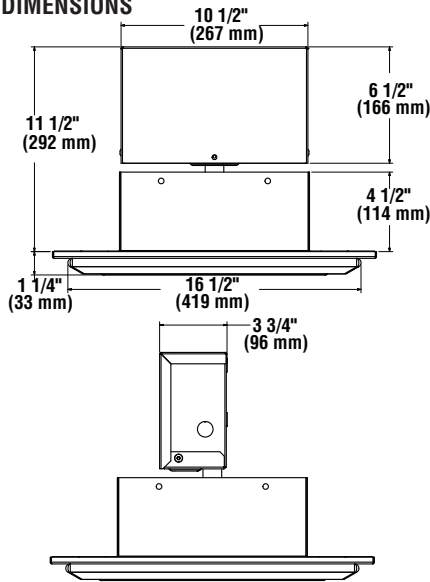
FINISH – Standard color is white powder coat finish. Each fixture is finished with LSI's DuraGrip® polyester powder coat finish process. LSI's DuraGrip finishes withstand extreme weather changes without cracking or peeling and come with a 5 year guarantee.

OPERATING TEMPERATURE – -40°C to +50°C (-40°F to +122°F)

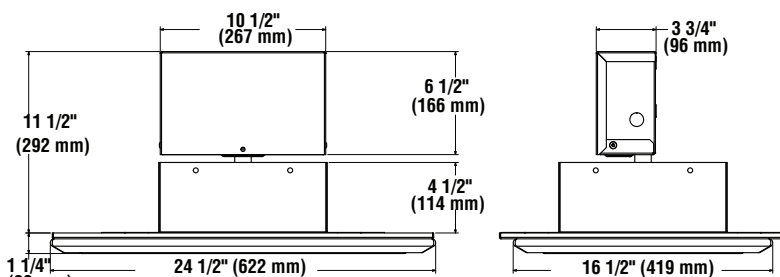
WARRANTY - Limited 5-year warranty (see warranty statement for full details).

PHOTOMETRICS – Application layouts are available upon request. Contact LSI Petroleum Lighting or petroleum.apps@lsi-industries.com

DIMENSIONS



AMBIENT 50



AMBIENT 100



IP65

Suitable for wet locations

LUMINAIRE ORDERING INFORMATION

TYPICAL ORDER EXAMPLE: **CRR2 S LED 50 CW UE WHT**

Luminaire Prefix	Distribution	Light Source	# of LEDs	Color Temperature	Input Voltage	Finish
CRR2	S-Symmetric	LED	50 100	CW - Cool White (5000° K nom)	UE - Universal Voltage 120-277V	WHT - White

10/28/09

Project Name _____ Fixture Type _____

Catalog # _____