

ENCORE® - HIGH IMPACT - DOUBLE OR SINGLE DECK APPLICATIONS

HOUSING - Die-cast, one-piece aluminum ensures durable, weather-tight construction. Two threaded conduit openings allow through wiring.

LENS/GASKET - Dropped borosilicate prismatic glass lens with a continuous one-piece extruded high temperature gasket to ensure maximum sealing to the housing.

LENS FRAME/DOOR FASTENER - Features an integral hinged, die-cast aluminum lens frame. Door frame closes and locks with stainless steel spring catch, allowing easy access for ground re-lamping.

INSTALLATION - One-person installation. No additional sealant required.

REFLECTORS/DISTRIBUTION PATTERNS - A highly specular, symmetrical reflector directs light into a dropped borosilicate prismatic glass lens. The vertical burn optical system provides uniform light distribution, without hot spots, to extend lighting beyond the outline of the canopy.

LIGHT SOURCES - Pulse-Start Metal Halide or Metal Halide Reduced Envelope.

BALLASTS - High-power factor type ballasts. Pulse-Start Metal Halide features Super CWA ballasts and Metal Halide features CWA ballasts. Ballasts are designed for -20 degree F operation. Electrical components are serviceable from below.

FINISH - Standard colors are white or bronze powder coat finish. Each fixture is finished with LSI's DuraGrip® polyester powder coat finishing process. The DuraGrip finish withstands extreme weather changes without cracking or peeling, and is guaranteed for five full years.

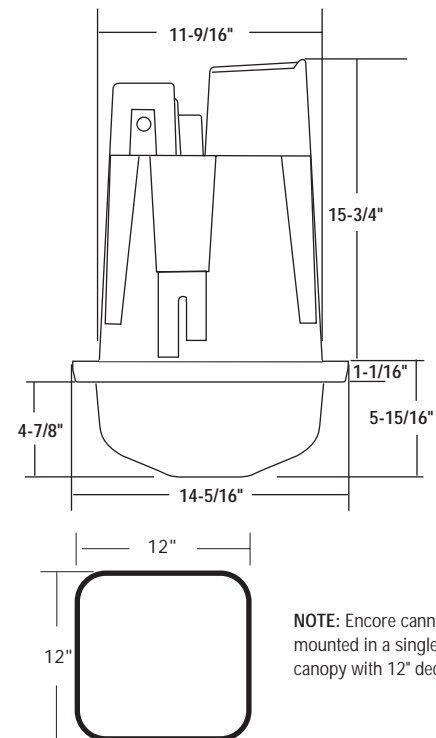
WARRANTY - The Encore carries a comprehensive 5-year warranty on all parts, finish, workmanship and electrical components (excluding lamp).

PHOTOMETRICS - For detailed photometric data, contact LSI Petroleum Lighting Sales.



Protected by the following patents:
 D375,379 5,662,407 6,059,422 6,224,233
 Patentado 8,956 199,294
 CA2276077 CA2381049 and Pat. Pend.

DIMENSIONS



NOTE: Encore cannot be mounted in a single skin canopy with 12" deck pans.

Deck requires 12" opening with 2" radius corners.



Consult Factory.

SHIPPING WEIGHT - Encore High Impact

Est. Weight (lbs.) 38

ENCORE® - HIGH IMPACT - DOUBLE OR SINGLE DECK APPLICATIONS

LUMINAIRE ORDERING INFORMATION

| Luminaire Prefix | Distribution | Lamp Wattage | Light Source | Lens | Line Voltage | Luminaire Finish |
|------------------|-----------------|---------------------------------|--|----------------------|--|-----------------------------|
| EC | S - Symmetrical | 175 200 250 320 400 | PSMV - Pulse-Start Metal Halide 175, 200, 250, 320 Watt MHR - Metal Halide reduced 400 Watt | PG - Prismatic Glass | MT - Multi-Tap ¹ TT - Tri -Tap ² 220V - 50Hz | WHT - White BRZ - Bronze |

EXAMPLE OF A TYPICAL ORDER

EC S 250 PSMV PG MT WHT

Options

TH - Thermally Protected³
CE - European Compliant⁴

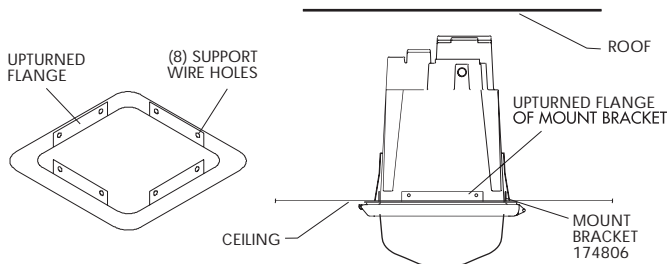
FOOTNOTES:

- 1- MT - Multi Tap is shipped standard unless otherwise specified. Multi Tap consists of 120V, 208V, 240V, and 277V. Multi Tap is pre-wired for 277V. Alternate voltages will require field re-wiring.
- 2- Tri-Tap is shipped standard for Canadian applications. Tri-Tap consists of 120V, 277V, and 347V. Tri-Tap is pre-wired for 347V. Alternate voltages will require field re-wiring.
- 3- Order when fixtures are to be used in enclosed ceilings. Voltage must be specified 120V, 208V, 240V, 277V, 347V or 220V 50Hz.
- 4- Consult Factory.

ACCESSORY ORDERING INFORMATION (Accessories are field installed)

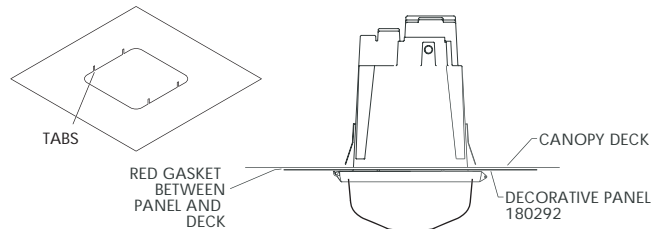
| Description | Order Number |
|------------------------------------|--------------|
| TCKEC - Thin Canopy Kit for Encore | 176008 |
| Ground Lamp Changers: | |
| 250, 320, 400 (Reduced) Watt | 132678A |
| 200 Watt | 179101Z |

DDM - DOUBLE DECK MOUNTING BRACKET (ORDER NUMBER 174806)



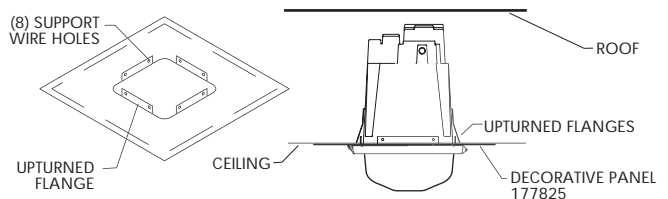
DDM - For use in covered areas (i.e. water proof plenum) where ceiling material will not support the fixture or access is not available from above to utilize standard locking ring.

SDRP - SINGLE DECK RETROFIT PANEL (ORDER NUMBER 180292)



SDRP - Single deck decorative retrofit panel facilitates conversions from 2x2 surface mounted fixture to Encore.

DDRMP - DOUBLE DECK RETROFIT MOUNTING PANEL (ORDER NUMBER 177825)



DDRMP - Decorative retrofit panel is for use on double deck canopies only. Panel will structurally support the Encore while covering an opening up to 600mm by 600mm. For use in covered areas only (i.e. water proof plenum).