

ENCORE® LOW PROFILE - DOUBLE OR SINGLE DECK APPLICATIONS

HOUSING - Die-cast two-piece aluminum housing unit with external fins, ensures a weather-tight, durable construction. Two threaded conduit openings allow use of ballast box as junction box for through wiring.

LENS/GASKET - Borosilicate shallow glass lens with a continuous one-piece extruded high temperature gasket to ensure maximum sealing to the housing.

LENS FRAME/DOOR FASTENER - Features an integral hinged, die-cast aluminum lens frame. Door frame closes and locks with stainless steel spring catch, allowing easy access for ground re-lamping.

INSTALLATION - Designed for single deck canopies where access for installation and maintenance is available from above. The Encore Top Access insures a watertight seal without the need for additional sealants. The Encore Top Access can be installed by one person in either a 12" or 16" deck pan.

REFLECTORS/DISTRIBUTION PATTERNS - A vertical burn optical system and symmetrical reflector provide uniform general lighting underneath the canopy without extending beyond the canopy outline.

LIGHT SOURCES - Pulse-Start Metal Halide. Shipped with lamp installed.

BALLASTS - High-power factor type ballasts. Pulse-Start Metal Halide features Super CWA ballasts. Ballasts are designed for -20 degree F operation. The ballast is mounted in a separate enclosure above the optical unit to provide the lowest operating temperatures available.

FINISH - Standard colors are white or bronze powder coat finish. Each fixture is finished with LSI's DuraGrip® polyester powder coat finish process. The DuraGrip finish withstands extreme weather changes without cracking or peeling, and is guaranteed for

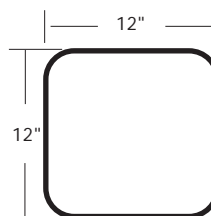
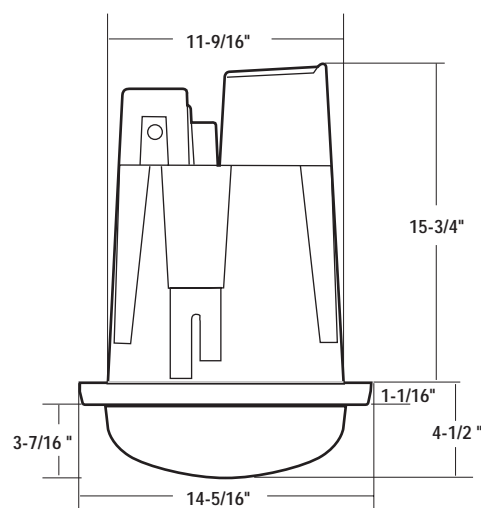
WARRANTY - The Encore Top Access unit carries a comprehensive 5-year warranty on all parts, finish, workmanship and electrical components (excluding lamp).

PHOTOMETRICS - For detailed photometric data, contact LSI Petroleum Lighting Sales.



Protected by the following patents: 5,662,407
6,059,422 6,152,579 6,224,233 6,464,378
Patentado 199,294 CA2276077 CA2381049
and Pat. Pend.

DIMENSIONS



NOTE: Encore cannot be mounted in a single skin canopy with 12" deck pans.

Deck requires 12" opening with 2" radius corners.



Consult Factory.

SHIPPING WEIGHT - Encore Low Profile

Est. Weight (lbs.) 34

ENCORE® LOW PROFILE - DOUBLE OR SINGLE DECK APPLICATIONS

LUMINAIRE ORDERING INFORMATION

Luminaire Prefix	Distribution	Lamp Wattage	Light Source	Lens	Line Voltage	Luminaire Finish
EC	S - Symmetrical	175 200 250 320 400	PSMV - Pulse-Start Metal Halide 175, 200, 250, 320 Watt MHR - Metal Halide Reduce 400 Watt	LP - Low Profile Sag Glass	MT - Multi-Tap ¹ TT - Tri -Tap ² 220V - 50Hz	WHT - White BRZ - Bronze

EXAMPLE OF A TYPICAL ORDER

EC S 250 PSMV LP MT WHT

Options

TH - Thermally Protected³
CE - European Compliant⁴

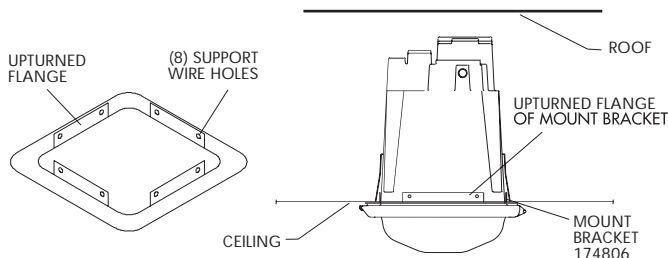
FOOTNOTES:

- 1- MT - Multi Tap is shipped standard unless otherwise specified. Multi Tap consists of 120V, 208V, 240V, and 277V. Multi Tap is pre-wired for 277V. Alternate voltages will require field re-wiring.
- 2- Tri-Tap is shipped standard for Canadian applications. Tri-Tap consists of 120V, 277V, and 347V. Tri-Tap is pre-wired for 347V. Alternate voltages will require field re-wiring.
- 3- Order when fixtures are to be used in enclosed ceilings. Voltage must be specified 120V, 208V, 240V, 277V, 347V or 220V 50Hz.
- 4- Consult Factory.

ACCESSORY ORDERING INFORMATION (Accessories are field installed)

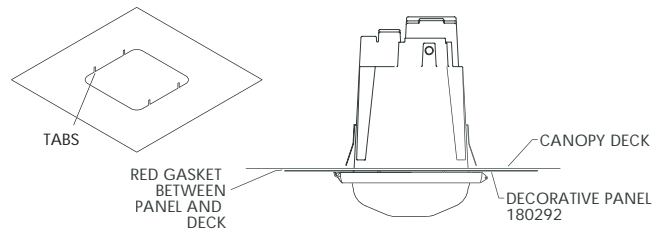
Description	Order Number
TCKEC - Thin Canopy Kit for Encore	176008
Ground Lamp Changers:	
250, 320, 400 (Reduced) Watt	132678A
200 Watt	179101Z

DDM - DOUBLE DECK MOUNTING BRACKET (ORDER NUMBER 174806)



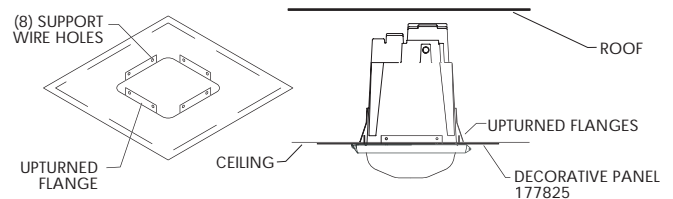
DDM - For use in covered areas (i.e. water proof plenum) where ceiling material will not support the fixture or access is not available from above to utilize standard locking ring.

SDRP - SINGLE DECK RETROFIT PANEL (ORDER NUMBER 180292)



SDRP - Single deck decorative retrofit panel facilitates conversions from 2x2 surface mounted fixture to Encore.

DDRMP - DOUBLE DECK RETROFIT MOUNTING PANEL (ORDER NUMBER 177825)



DDRMP - Decorative retrofit panel is for use on double deck canopies only. Panel will structurally support the Encore while covering an opening up to 600mm by 600mm. For use in covered areas only (i.e. water proof plenum).