

STEEL ROUND POLES

POLE SHAFT - Pole shaft is electro-welded ASTM-A500 Grade C steel tubing with a minimum yield strength of 46,000 psi. On Tenon Mount steel poles, tenon is 2-3/8" O.D. high-strength pipe. Tenon is 4-3/4" in length. Steel round poles are 4" and 5" round.

HAND-HOLE - Standard hand-hole location is 12" above pole base. Poles 18' and above have a 3" x 6" reinforced hand-hole. Shorter poles have 2" x 4" non-reinforced hand-hole.

BASE - Pole base is ASTM-A36 hot-rolled steel plate with a minimum yield strength of 36,000 psi. Two-piece square base cover is optional.

ANCHOR BOLTS - Poles are furnished with anchor bolts featuring zinc-plated double nuts and washers. Galvanized anchor bolts are optional. Anchor bolts conform with ASTM-A36 with a minimum yield strength of 36,000 psi.

GROUND LUG - Ground lug is standard.

DUPLEX RECEPTACLE - Weatherproof duplex receptacle is optional.

GROUND FAULT CIRCUIT INTERRUPTER - Ground fault circuit interrupter is optional.

FINISHES - Each pole is finished with DuraGrip®, LSI's baked-on polyester-powder finishing process to give the pole an exceptionally attractive appearance. The process electrostatically applies and thermally fuses a polyester powder to the pole. This unique protection process provides an extremely smooth and uniform finish to withstand extreme weather changes without cracking or peeling. DuraGrip finish features a two-year limited warranty. Standard finish colors available for poles are bronze, black, platinum plus, buff, white, satin verde green, metallic silver, and graphite. Optional DuraGrip® Plus features added protection with a 3.0 to 5.0 mil thickness of polyester-powder finish plus an inner coating. This specially developed inner coating is a thermal plastic hydrocarbon resin applied to the inside of the pole to seal and protect against atmospheric and corrosive matter. DuraGrip Plus finish features a five-year limited warranty.

DETERMINING THE LUMINAIRE/POLE COMBINATION FOR YOUR APPLICATION:

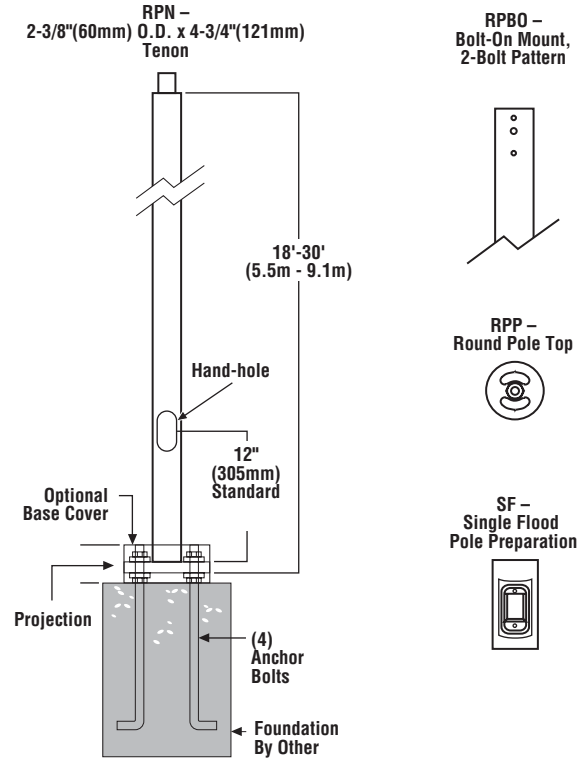
- Select luminaire from Luminaire Ordering Information.
- Select bracket configuration.
- Refer to Luminaire EPA Chart to determine EPA value.
- Select Height of pole.
- Select MPH to match the wind speed in the application area. (Windspeed Map located in Appendix)
- Confirm the pole EPA that is equal to or exceeds the luminaire/bracket EPA as was previously determined.

POLE SELECTION CHART: 4" (102mm) and 5" (127mm) steel round poles

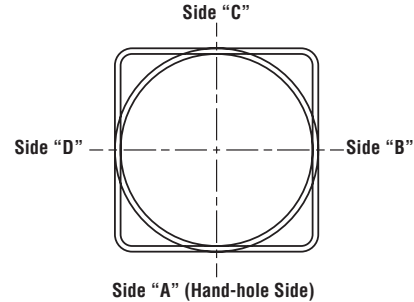
Height	EPA [†]				Outside Dimensions	Material	Bolt Circle
	70 MPH	80 MPH	90 MPH	100 MPH			
18' (5.5m)	15.5	11.1	8.0	5.8	4" (102mm)	S10G	L
20' (6.1m)	12.5	8.7	6.1	4.2	4" (102mm)	S10G	L
20' (6.1m)	20.0	14.2	10.2	7.4	5" (127mm)	S11G	L
22' (6.7m)	10.0	6.7	4.4	2.8	4" (102mm)	S10G	L
22' (6.7m)	16.6	11.5	8.0	5.5	5" (127mm)	S11G	L
24' (7.3m)	7.8	4.9	3.0	1.5	4" (102mm)	S10G	L
24' (7.3m)	13.6	9.1	6.0	3.8	5" (127mm)	S11G	L
24' (7.3m)	22.9	16.2	11.6	8.3	5" (127mm)	S07G	M
26' (7.9m)	11.1	7.1	4.3	2.3	5" (127mm)	S11G	L
26' (7.9m)	19.5	13.5	9.4	6.4	5" (127mm)	S07G	M
28' (8.5m)	16.5	11.1	7.4	4.7	5" (127mm)	S07G	M
30' (9.1m)	13.8	8.9	5.6	3.2	5" (127mm)	S07G	M

[†] Refer to EPA information on next page.
If luminaire weight exceeds 250 lbs. (113.4 kg), consult factory.
For applications in Florida or Canada, consult factory.

DIMENSIONS



DRILLING LOCATIONS



Sides	A	B	C	D
Hand-hole	X			
Single	X			
D180°		X		X
D90°	X			X
T90°	X	X		X
TN120°*	X			
Q90°	X	X	X	X
Single FBO	X			
Double FBO		X		X

*Other two locations will be 120° to the left and right of Side A.

Note: Consult factory for custom variations. Standard SF and DF pole preparations are located 3/4 of the height of the pole from the base, unless otherwise specified.

SHIPPING WEIGHTS - Steel Round Poles

4" (102mm) Dia. 10 Ga. is approximately	6.0 lbs./ft.
5" (127mm) Dia. 11 Ga. is approximately	7.0 lbs./ft.
5" (127mm) Dia. 07 Ga. is approximately	10.0 lbs./ft.
Anchor Bolts (3/4" x 30") (19mm x 762mm)	15 lbs. (7kg)/set
Anchor Bolts (1" x 36") (125mm x 914mm)	30 lbs. (14kg)/set

STEEL ROUND POLES

ORDERING INFORMATION

Pole Series	Material	Height ²	Mounting Configuration	Pole Finish	Options
Round Pole for Bolt-On Mount 2-Bolt Pattern 4RPBO 5RPBO	S11G – 11 Ga. Steel S10G – 10 Ga. Steel ¹ S07G – 07 Ga. Steel	18' 20' 22' 24' 26' 28' 30'	S – Single/Parallel D180° – Double D90° – Double DN90° – Double T90° – Triple TN120° – Triple Q90° – Quad QN90° – Quad	BRZ – Bronze BLK – Black PLP – Platinum Plus BUF – Buff WHT – White SVG – Satin Verde Green GPT – Graphite MSV – Metallic Silver	GA – Galvanized Anchor Bolts SF – Single Flood ³ DF – Double Flood ³ DGP – DuraGrip [®] Plus LAB – Less Anchor Bolts
Round Pole for Pole Top Mount 4RPP 5RPP			PT – Pole Top Mount		
Round Pole for Tenon Mount 4RPN 5RPN			N – Tenon Mount (Standard tenon size is 2-3/8" O.D.)		

Consult Pole Selection Chart on opposite page

Standard SF and DF pole preparations are located 3/4 of the height of the pole from the base, unless otherwise specified

5RPBO S07G 24 S PLP SF DGP

EXAMPLE OF A TYPICAL ORDER

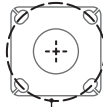
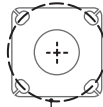
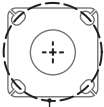
FOOTNOTES:

- 1- 4" poles are available in S10G only. 5" poles available in S11G and S07G only.
- 2- Pole heights will have +/- 1/2" tolerance.
- 3- See Flood Lighting Brackets Section.

ACCESSORY ORDERING INFORMATION (Accessories are field installed)

Description	Order Number
4" SRBC Square Base Cover	158450CLR
5" SRBC Square Base Cover	158451CLR
ER2 – Weatherproof Duplex Receptacle (Poles below 18')	122557CLR
ER2 – Weatherproof Duplex Receptacle for Reinforced Hand-hole (Poles 18' and above)	122566CLR
GFI – Ground Fault Circuit Interrupter (Poles below 18')	122558CLR
GFI – Ground Fault Circuit Interrupter for Reinforced Hand-hole (Poles 18' and above)	122567CLR
MHD – Mounting Hole Weatherproof Decal	Consult Factory

BOLT CIRCLE

	4" (102mm) Round	5" (127mm) Round	5" (127mm) Round
	10-1/8" (257mm) sq.	10-1/8" (257mm) sq.	10-1/8" (257mm) sq.
			
	11" (279mm) Dia. Bolt Circle	11" (279mm) Dia. Bolt Circle	11" (279mm) Dia. Bolt Circle
	L	L	M
Bolt Circle	Slotted 11" (279mm)	Slotted 11" (279mm)	Slotted 11" (279mm)
Anchor Bolt Size	3/4" x 30" (19mm x 762mm)	3/4" x 30" (19mm x 762mm)	1" x 36" (25mm x 914mm)
Anchor Bolt Projection	3-1/4" (83mm)	3-1/4" (83mm)	4" (102mm)
Base Plate Opening for Wireway Entry	3-5/8" (92mm)	4-3/4" (121mm)	4-5/8" (117mm)
Base Plate Dimensions	10-1/8" sq. x 3/4" thk. (257mm x 19mm)	10-1/8" sq. x 3/4" thk. (257mm x 19mm)	10-1/8" sq. x 1" thk. (257mm x 25mm)

Note: Base plate illustrations may change without notice. Do not use for setting anchor bolts. Consult factory for the base plate templates.

EPA INFORMATION

All LSI Lighting Systems' poles are guaranteed to meet the EPA requirements listed. LSI Lighting Systems is not responsible if a pole order has a lower EPA rating than the indicated wind-loading zone where the pole will be located.

CAUTION: This guarantee does not apply if the pole/bracket/fixture combination is used to support any other items such as flags, pennants, or signs, which would add stress to the pole. LSI Lighting Systems cannot accept responsibility for harm or damage caused in these situations.

NOTE: Pole calculations include a 1.3 gust factor over steady wind velocity. Example: poles designed to withstand 80 MPH steady wind will withstand gusts to 104 MPH. EPAs are for locations 100 miles away from hurricane ocean lines. Consult LSI for other areas. Note: Hurricane ocean lines are the Atlantic and Gulf of Mexico coastal areas. For applications in Florida or Canada, consult factory.