

STEEL SQUARE POLES

POLE SHAFT - Pole shaft is electro-welded ASTM-A500 Grade C steel tubing with a minimum yield strength of 50,000 psi. On Tenon Mount steel poles, tenon is 2-3/8" O.D. high-strength pipe. Tenon is 4-3/4" in length. Straight poles are 4", 5", and 6" square.

HAND-HOLE - Standard hand-hole location is 12" above pole base. Poles 22' and above have a 3" x 6" reinforced hand-hole. Shorter poles have a 2" x 4" non-reinforced hand-hole.

BASE - Pole base is ASTM-A36 hot-rolled steel plate with a minimum yield strength of 36,000 psi. Two-piece square base cover is optional.

ANCHOR BOLTS - Poles are furnished with anchor bolts featuring zinc-plated double nuts and washers. Galvanized anchor bolts are optional. Anchor bolts conform to ASTM-A36 with a minimum yield strength of 36,000 psi.

GROUND LUG - Ground lug is standard.

DUPLEX RECEPTACLE - Weatherproof duplex receptacle is optional.

GROUND FAULT CIRCUIT INTERRUPTER - Ground fault circuit interrupter is optional.

FINISHES - Each pole is finished with LSI's DuraGrip® baked-on polyester-powder finishing process to give the pole an exceptionally attractive appearance. The process electrostatically applies and thermally fuses a polyester powder to the pole. This unique protection process provides an extremely smooth and uniform finish which withstands extreme weather changes without cracking or peeling. DuraGrip finish features a two-year limited warranty. Standard finish colors available for poles are bronze, black, platinum plus, buff, white, satin verde green, metallic silver, and graphite. Optional DuraGrip® Plus features added protection with a 3.0 to 5.0 mil thickness of polyester-powder finish plus an inner coating. This specially developed inner coating is a thermal plastic hydrocarbon resin applied to the inside of the pole to seal and protect against atmospheric and corrosive matter. DuraGrip Plus finish features a five-year limited warranty.

DETERMINING THE LUMINAIRE/POLE COMBINATION FOR YOUR APPLICATION:

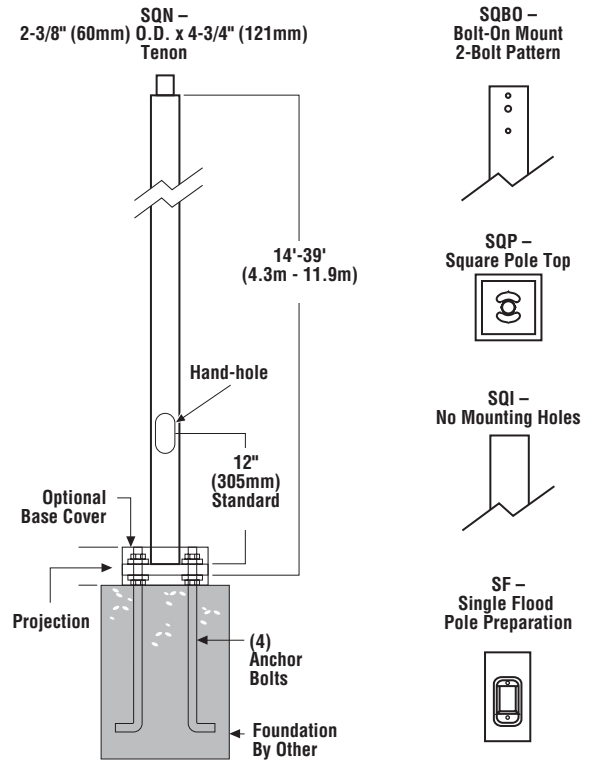
- Select luminaire from Luminaire Ordering Information.
- Select bracket configuration.
- Refer to Luminaire EPA Chart to determine EPA value.
- Select Height of pole.
- Select MPH to match the wind speed in the application area. (Windspeed Map located in Appendix)
- Confirm the pole EPA that is equal to or exceeds the luminaire/bracket EPA as was previously determined.

POLE SELECTION CHART: 4"(102mm), 5"(127mm) and 6"(152mm) steel square poles

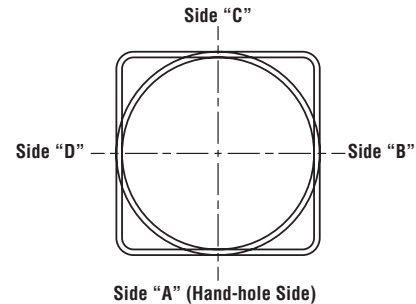
Height	EPA [†]				Outside Dimensions	Material	Bolt Circle
	70 MPH	80 MPH	90 MPH	100 MPH			
14' (4.3m)	23.3	16.7	12.2	9.0	4" (102mm)	S11G	B
16' (4.9m)	18.6	13.1	9.3	6.5	4" (102mm)	S11G	B
16' (4.9m)	34.6	25.0	18.5	13.8	5" (127mm)	S11G	C
18' (5.5m)	14.4	9.7	6.5	4.2	4" (102mm)	S11G	B
18' (5.5m)	27.9	19.7	14.1	10.1	5" (127mm)	S11G	C
20' (6.1m)	11.0	7.0	4.2	2.2	4" (102mm)	S11G	B
20' (6.1m)	18.7	12.8	8.8	5.9	4" (102mm)	S07G	B
20' (6.1m)	22.5	15.4	10.5	7.0	5" (127mm)	S11G	C
20' (6.1m)	35.5	25.4	18.4	13.4	5" (127mm)	S07G	D
22' (6.7m)	10.4	6.3	3.4	1.4	4" (102mm)	S11G	B
22' (6.7m)	18.7	12.6	8.4	5.4	4" (102mm)	S07G	B
22' (6.7m)	20.8	13.8	8.9	5.5	5" (127mm)	S11G	C
22' (6.7m)	34.0	23.9	17.0	12.0	5" (127mm)	S07G	D
24' (7.3m)	7.7	4.0	1.5	—	4" (102mm)	S11G	B
24' (7.3m)	15.1	9.7	6.0	3.3	4" (102mm)	S07G	B
24' (7.3m)	16.7	10.5	6.2	3.1	5" (127mm)	S11G	C
24' (7.3m)	28.6	19.6	13.4	8.9	5" (127mm)	S07G	D
24' (7.3m)	46.2	32.6	23.2	16.6	6" (153mm)	S07G	J
26' (7.9m)	5.3	2.1	—	—	4" (102mm)	S11G	B
26' (7.9m)	12.0	7.2	3.9	1.5	4" (102mm)	S07G	B
26' (7.9m)	13.2	7.6	3.8	1.0	5" (127mm)	S11G	C
26' (7.9m)	24.0	15.8	10.3	6.3	5" (127mm)	S07G	D
26' (7.9m)	39.6	27.3	18.9	12.9	6" (152mm)	S07G	J
28' (8.5m)	19.9	12.5	7.5	3.9	5" (127mm)	S07G	D
28' (8.5m)	33.9	22.7	15.1	9.6	6" (152mm)	S07G	J
30' (9.1m)	16.3	9.6	5.0	1.7	5" (127mm)	S07G	D
30' (9.1m)	28.8	18.6	11.6	6.6	6" (152mm)	S07G	J
35' (10.7m)	18.3	10.0	4.3	—	6" (152mm)	S07G	J
39' (11.9m)	11.5	4.3	—	—	6" (152mm)	S07G	J

[†] Refer to EPA information on next page.
If luminaire weight exceeds 250 lbs. (113.4kg), consult factory
For applications in Florida or Canada, consult factory

DIMENSIONS



DRILLING LOCATIONS



Sides	A	B	C	D
Hand-hole	X			
Single	X			
D180°		X		X
D90°	X			X
T90°	X	X		X
TN120°*	X			
Q90°	X	X	X	X
Single FBO	X			
Double FBO		X		X

*Other two locations will be 120° to the left and right of Side A.
Note: Consult factory for custom variations. Standard SF and DF pole preparations are located 3/4 of the height of the pole from the base, unless otherwise specified.

SHIPPING WEIGHTS - Steel Square Poles

4" (102mm) sq. 11 Ga. is approximately	7.50 lbs./ft.
4" (102mm) sq. Ga. is approximately	10.00 lbs./ft.
5" (127mm) sq. Ga. is approximately	9.00 lbs./ft.
5" (127mm) sq. Ga. is approximately	12.50 lbs./ft.
6" (152mm) sq. Ga. is approximately	15.40 lbs./ft.
Anchor Bolts (3/4" x 30")(19mm x 762mm)	15 lbs. (7kg)/set
Anchor Bolts (1" x 36")(25mm x 914mm)	30 lbs. (14kg)/set

STEEL SQUARE POLES

ORDERING INFORMATION

Pole Series	Material	Height'	Mounting Configuration	Pole Finish	Options
Square pole for Bolt-on mount 2-Bolt Pattern 4SQB0 5SQB0 6SQB0	S11G – 11 Ga. Steel S07G – 07 Ga. Steel	14'	S – Single/Parallel D180° – Double D90° – Double DN90° – Double T90° – Triple TN120° – Triple Q90° – Quad QN90° – Quad	BRZ – Bronze BLK – Black PLP – Platinum Plus BUF – Buff WHT – White SVG – Satin Verde Green GPT – Graphite MSV – Metallic Silver	GA – Galvanized Anchor Bolts SF – Single Flood ³ DF – Double Flood ³ DGP – DuraGrip® Plus LAB – Less Anchor Bolts
		16'			
		18'			
		20'			
Square Pole for Pole Top Mount 4SQP 5SQP 6SQP		22'	PT – Pole Top Mount		
		24'			
		26'			
		28'			
Square Pole for Tenon Mount 4SQN 5SQN 6SQN	Consult Pole Selection Chart on opposite page	30'	N – Tenon Mount (Standard tenon size is 2-3/8" O.D.)		
		35'			
		37'			
		39'			
Square Pole (No mounting holes No pole top caps) 4SQI 5SQI			I – For use with Internal Slip-Fitter ²		

Standard SF and DF pole preparations are located 3/4 of the height of the pole from the base, unless otherwise specified

5SQB0 S07G 24 D180 PLP SF DGP

EXAMPLE OF A TYPICAL ORDER

FOOTNOTES:

- 1- Pole Heights will have +/- 1/2" tolerance
- 2- See Area Lighting Brackets Section.
- 3- See Flood Lighting Brackets Section.

ACCESSORY ORDERING INFORMATION

(Accessories are field installed)

Description	Order Number
4BC – 4" Square Base Cover	122559CLR
5BC – 5" Square Base Cover	122561CLR
6BC – 6" Square Base Cover	122563CLR
ER2 – Weatherproof Duplex Receptacle	122566CLR
GFI – Ground Fault Circuit Interrupter	122567CLR
MHP – Mounting Hole Plugs (3 plugs)	132336
Vibration Damper - 4" Square Pole	172539
Vibration Damper - 5" Square Pole	172538
Vibration Damper - 6" Square Pole	178361

BOLT CIRCLE

4" (102mm) square
10-1/8" (257mm) sq.



11" (279mm) Dia. Bolt Circle

5" (127mm) square
10-1/8" (257mm) sq.



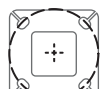
11" (279mm) Dia. Bolt Circle

5" (127mm) square
10-1/8" (257mm) sq.



11" (279mm) Dia. Bolt Circle

6" (152mm) square
12" (305mm) sq.



12" (305mm) Dia. Bolt Circle

	B	C	D	J
Bolt Circle	8"-11" (203mm-279mm)	9"-11" (229mm-279mm)	9"-11" (229mm-279mm)	12" (305mm)
Anchor Bolt Size	3/4" x 30" (19mm x 762mm)	3/4" x 30" (19mm x 762mm)	1" x 36" (25mm x 914mm)	1" x 36" (25mm x 914mm)
Anchor Bolt Projection	3-1/4" (83mm)	3-1/4" (83mm)	4" (102mm)	4" (102mm)
Base Plate Opening for Wireway Entry	3-5/8" (92mm)	4-3/4" (121mm)	4-5/8" (117mm)	5-5/8" (143mm)
Base Plate Dimensions	10-1/8" sq. x 3/4" thk. (257mm x 19mm)	10-1/8" sq. x 3/4" thk. (257mm x 19mm)	10-1/8" sq. x 1" thk. (257mm x 25mm)	12" sq. x 1-1/8" thk. (305mm x 29mm)

Note: Base plate illustrations may change without notice. Do not use for setting anchor bolts. Consult factory for the base plate templates.

EPA INFORMATION

All LSI Lighting Systems' poles are guaranteed to meet the EPA requirements listed. LSI Lighting Systems is not responsible if a pole order has a lower EPA rating than the indicated wind-loading zone where the pole will be located.

CAUTION: This guarantee does not apply if the pole/bracket/fixture combination is used to support any other items such as flags, pennants, or signs, which would add stress to the pole. LSI Lighting Systems cannot accept responsibility for harm or damage caused in these situations.

NOTE: Pole calculations include a 1.3 gust factor over steady wind velocity. Example: poles designed to withstand 80 MPH steady wind will withstand gusts to 104 MPH. EPAs are for locations 100 miles away from hurricane ocean lines. Consult LSI for other areas. Note: Hurricane ocean lines are the Atlantic and Gulf of Mexico coastal areas. For applications in Florida or Canada, consult factory.