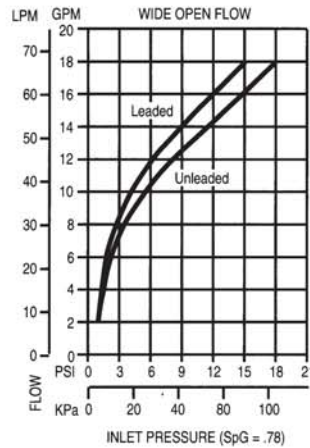


HUSKY X-FS

FOR FARM, SKID TANK, CONSUMER PUMPS

Husky X-FS Nozzle:

- For farm, 12V skid tank and consumer pumps.
- Strong, improved flow—up to 18 GPM (unleaded spout).
- Dispenses 10 GPM at only 5.6 psi.
- Has built-in hook, or fits “holster lock” of skid tank pumps.
- Not to be used with gravity tanks. Not legal for retail dispensing.
- Nozzle equipped with unique Flo-Stop device that shuts off the nozzles if it falls from the fill tank, or raised above the horizontal point.



SPECIFYING INFORMATION

Model Number	Fuel	Hold-open Clip	Weight Lbs. (kg.)	Thread
337004	Unleaded	yes	2.9 (1.32)	NPT
337008	Unleaded	no	2.9 (1.32)	NPT
337003	Leaded	yes	2.9 (1.32)	NPT
337007	Leaded	no	2.9 (1.32)	NPT
337016	Unleaded	yes	2.9 (1.32)	BSP
337015	Leaded	yes	2.9 (1.32)	BSP

CONSTRUCTION

Body	One piece die cast aluminum
Disc	Viton® (Fluorocarbon)
Packing	Double O-Ring seal protected by Fiber Reinforced Teflon
Lever	One piece contoured steel with hard plastic cover
Inlet	3/4" NPT, BSP

PATENTS AND LISTINGS

Patent Nos.	4,331,190	4,809,753
Listings	U.L.	U.L.C.

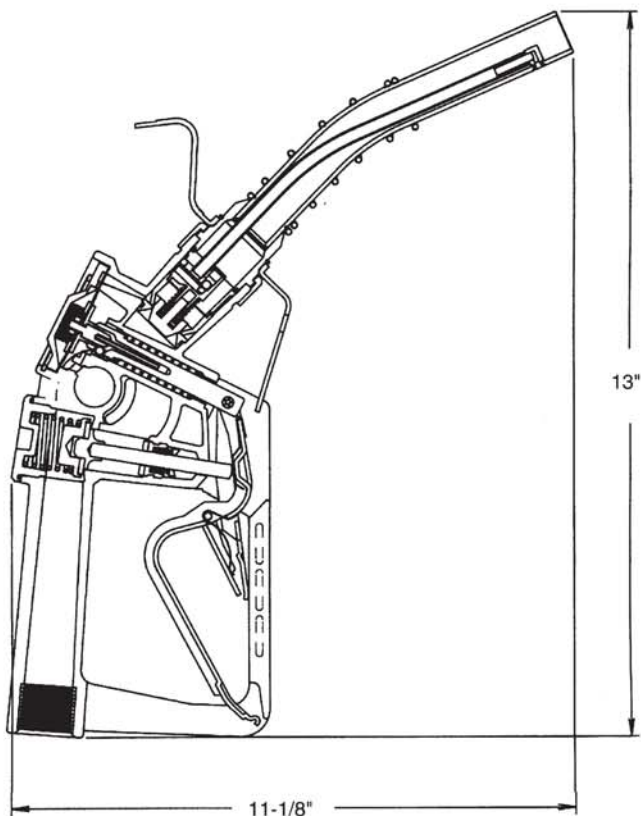
Viton® is a registered trademark of DuPont Dow Elastomers



HUSKY X-FS

FOR FARM, SKID TANK, CONSUMER PUMPS

- ACCESSORIES
- FEATURES
- DIMENSIONS



SPOUTS

Model No.	Description
3358	Leaded
3356	Unleaded

SWIVELS

Model No.	Description
0350	3/4"M x 3/4"F
0352	1"M x 3/4"F
0355	3/4"M x 3/4"F (black body)
0356	1"M x 3/4" F (black body)
2272	3/4"M x 3/4"F 90° dispenser outlet

SAFE-T-BREAKS®

Model No.	Description
3360	3/4"M x 3/4"F (Reconnectable) Safe-T-Break®
2273	3/4"F x 3/4"F NPT Safe-T-Break®

